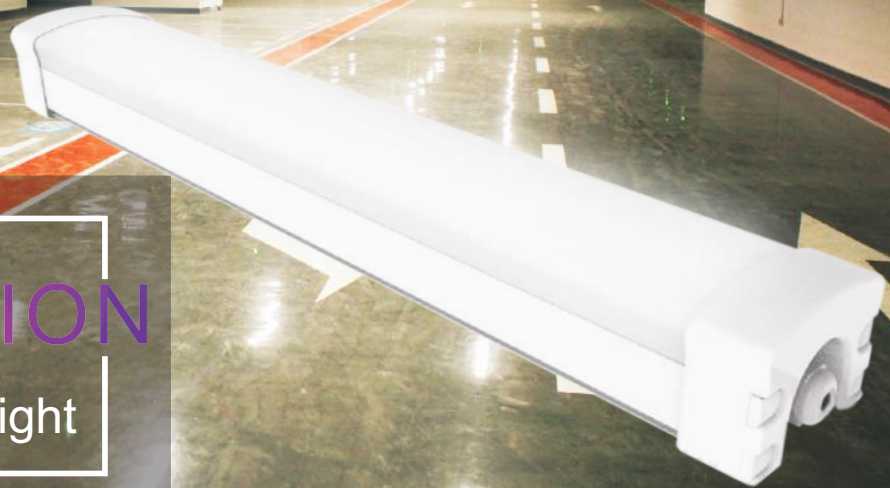


PERFEKTLICHT

SPECIFICATION

IP65 AL Tri-proof Light



Product Details

S/N Rules

$\frac{SL}{1} - \frac{A65}{2} \frac{X}{3} \frac{X}{4} - \frac{XX}{5} - \frac{X}{6} \frac{X}{7}$

EX: $\frac{SL}{1} - \frac{A65F2}{2} - \frac{20}{34} - \frac{PB}{567}$

- 1: PL-A65F4-40 / PL-A65F5-60
- 2: A65: IP65 Aluminum Tri-proof
- 3: X-Cover Type (S: Striped cover, F :Frosted cover)
- 4: X-Length , (2:2ft 60cm, 4:4ft 120cm, 5:5ft 150cm)
- 5:XX-Power consumption (20:20w, 30:30w,40:40w, 50:50w, 60: 60w)
- 6: X-Color Temperature (W:warm white, P: Pure white, C:cold white)
- 7: X-Function Type (B:Battery ,Emergency function , S: Sensor, microwave or PIR sensor , D:0/1-10V dimmable, T: Triac dimmable L: DALI dimmable)

Application

- Parking place
- Tunnel / Corridor / Gallery
- Railway / Bus / MTR Station
- Warehouse / Factory
- Airport
- Exhibition Hall
- Supermarket
- Gas station

Features

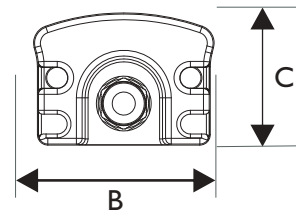
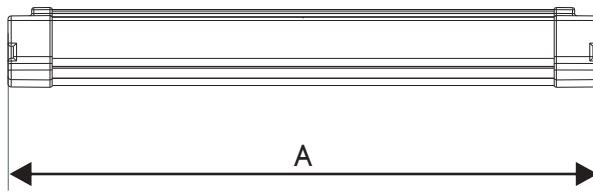
- CE, RoHs, ERP, TUV-GS, SAA, UL, DLC certified
- Water-proof, Dust-proof, Damp-proof, Vapor-proof
- Unique design, Mitsubishi PC Cover + Aluminum housing + Aluminum PCB
- IP66 Ik10
- Global patent protection led source, SMD2835
- Capable with non-dimming, 0~10V dimming, DALI, Sensor, Emergency version
- Available in side connection, back connection, plug-and-play in connection, self-wiring conenction
- 100~120lm/w or 130~150lm/w
- L80B50 lifespan(Ta=25°C): 75,000hrs
- 5 years warranty.



Product Details



Dimension



length	A		B		C
	Min.mm	Min.mm	Max.mm		Min.mm
600	600	91	92		69
1200	1200	91	92		69
1500	1500	91	92		69

Data Sheet

Article Number	Size	Power	LEDs	Beam Angle	CRI	AC Input	DC Output	SDCM	Efficiency (±5%)	Lumen Output
----------------	------	-------	------	------------	-----	----------	-----------	------	------------------	--------------

Standard Lumen Version>>>>>100~110lm/w with frosted cover, 110~120lm/w with striped cover

PL-A65X2-20-X	600*91*69mm	20W	120	120°	>80	200~240V/100~277V	30~40V	<4	100~120lm/w	1900~2300lm
PL-A65X2-30-X	600*91*69mm	30W	180	120°	>80	200~240V/100~277V	30~40V	<4	100~120lm/w	2900~3500lm
PL-A65X4-40-X	1200*91*69mm	40W	240	120°	>80	200~240V/100~277V	30~40V	<4	100~120lm/w	3800~4600lm
PL-A65X4-50-X	1200*91*69mm	50W	288	120°	>80	200~240V/100~277V	30~40V	<4	100~120lm/w	4800~5800lm
PL-A65X5-50-X	1500*91*69mm	50W	288	120°	>80	200~240V/100~277V	30~40V	<4	100~120lm/w	4800~5800lm
PL-A65X5-60-X	1500*91*69mm	60W	336	120°	>80	200~240V/100~277V	30~40V	<4	100~120lm/w	5800~7000lm

Premium Lumen Version>>>>>130~140lm/w with frosted cover, 140~150lm/w with striped cover

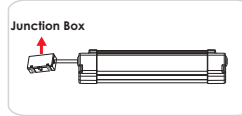
PL-A65X2-20-X	600*91*69mm	20W	120	120°	>80	200~240V/100~277V	30~40V	<4	130~150lm/w	2500~2900lm
PL-A65X2-30-X	600*91*69mm	30W	180	120°	>80	200~240V/100~277V	30~40V	<4	130~150lm/w	3750~4350lm
PL-A65X4-40-X	1200*91*69mm	40W	240	120°	>80	200~240V/100~277V	30~40V	<4	130~150lm/w	5000~5800lm
PL-A65X4-50-X	1200*91*69mm	50W	288	120°	>80	200~240V/100~277V	30~40V	<4	130~150lm/w	6250~7250lm
PL-A65X5-50-X	1500*91*69mm	50W	288	120°	>80	200~240V/100~277V	30~40V	<4	130~150lm/w	6250~7250lm
PL-A65X5-60-X	1500*91*69mm	60W	336	120°	>80	200~240V/100~277V	30~40V	<4	130~150lm/w	7500~8700lm

Special Models

PL-A65X8-80-X	2400*91*69mm	80W	480	120°	>80	200~240V/100~277V	30~40V	<4	100~120lm/w	7600~9200lm
PL-A65X10-100-X	3000*91*69mm	100W	576	120°	>80	200~240V/100~277V	30~40V	<4	100~120lm/w	9500~11500lm

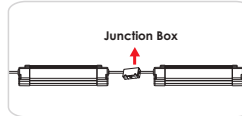
Flexibilities in connection

1 Power at one end



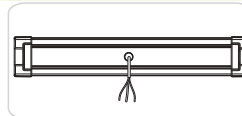
Fit for single connection

2 Power at double ends



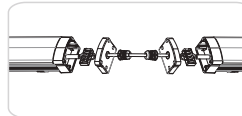
Fit for series connection

3 Power at backside



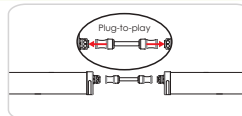
Fit for backside or wall mounted connection

4 Detachable caps



Fit for self-wiring connection

5 Plug-and-play connection with LLT connectors

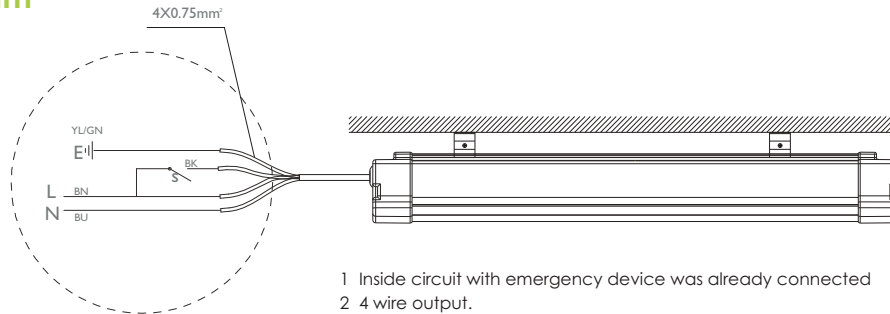


Fit for plug-and-play connection

Emergency Version

Article Number	Emergency Time(hours)	Emergency Power(W)	Battery Parameters
PL-A65X2-20-X	3	3	3.6V 2600mah
PL-A65X2-30-X	3	4	7.2V 2200mah
PL-A65X4-40-X	3	4	7.2V 2200mah
PL-A65X4-50-X	3	8	7.2V 4400mah
PL-A65X5-50-X	3	8	7.2V 4400mah
PL-A65X5-60-X	3	8	7.2V 4400mah

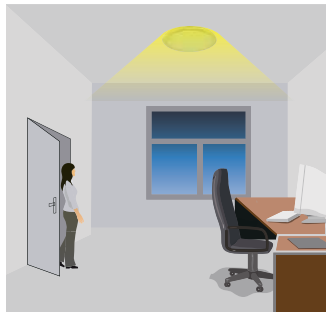
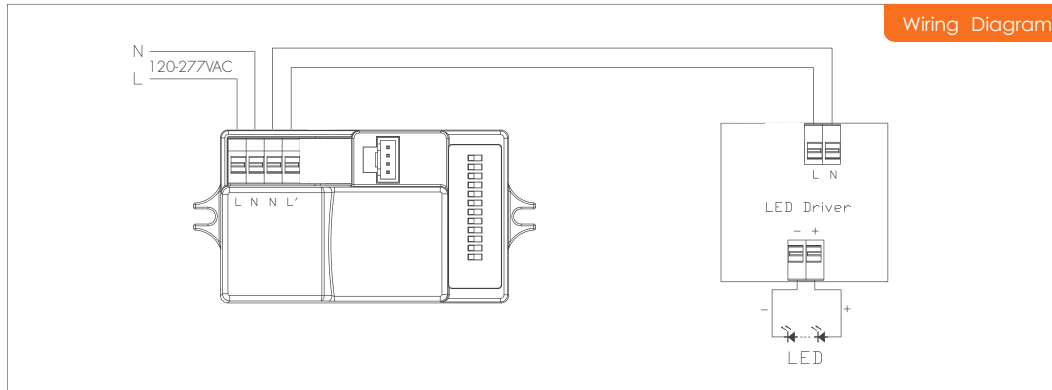
Wiring Diagram



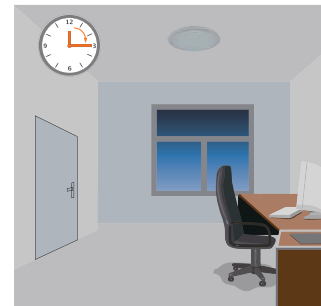
- 1 Inside circuit with emergency device was already connected
- 2 4 wire output.
Eu Market: Blue-Neutral wire / Black-Live wire / Brown-Switch wire / Yellow&Green-Earth wire
US Market: Black-Neutral wire / White-Live wire / Red-Switch wire / Green-Earth wire
- 3 Indicator color (Green – main power, Yellow – malfunction, Red - Charging)
- 4 Battery can be recharged at least 500 times. In order to maintain the battery well it must be discharged every 3 months.

MSDS Test Report is available

Hytronik Microwave Sensor 100% on/off version



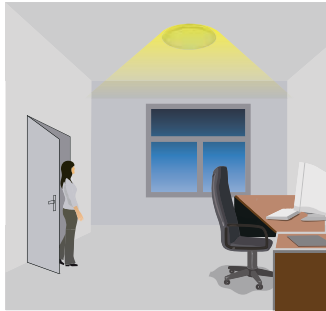
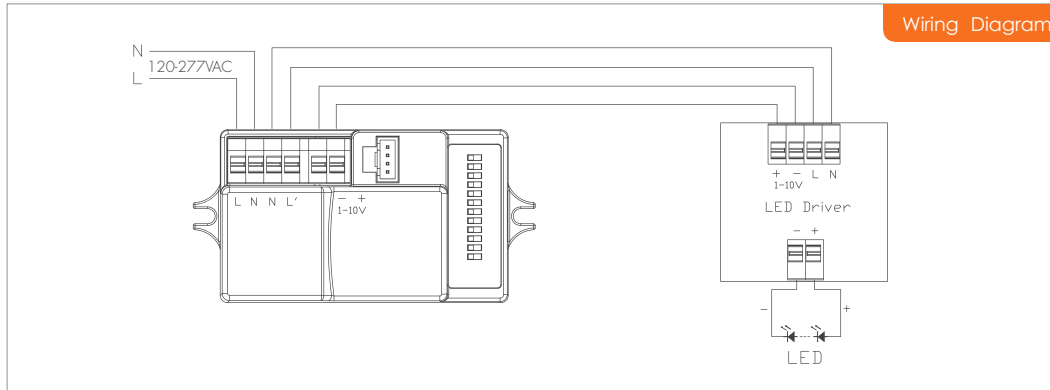
Light will turn on if any movement be detected in detection area.



Light will switch off after the hold time when no movement in detection area.

Remark: 1. standard hold time is 60s 2. Max detection range is 12x6m(φxh)

Microwave Sensor Module Brightness Dimming Version



Light will turn on if any movement be detected in detection area.

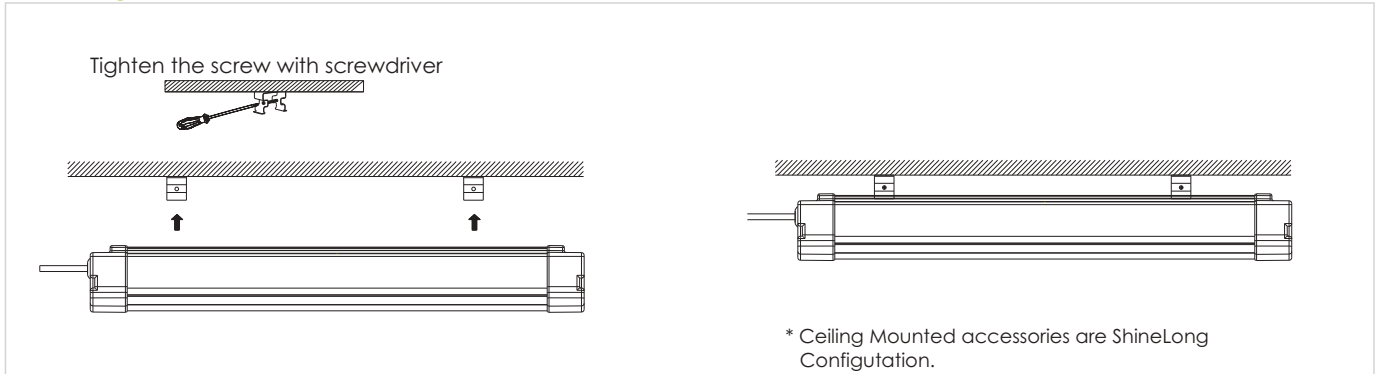


Light will dim to 10%/20%/30%/50%(options) after the hold time when no movement in detection area

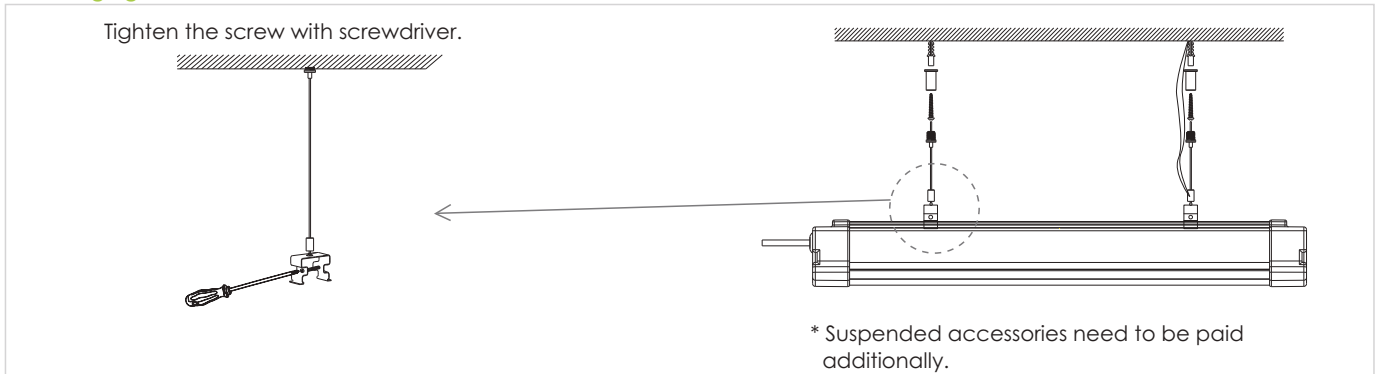
Remark: 1. standard hold time is 60s 2. Max detection range is 12x6m(φxh)

Installation

① Ceiling Mounted Installation

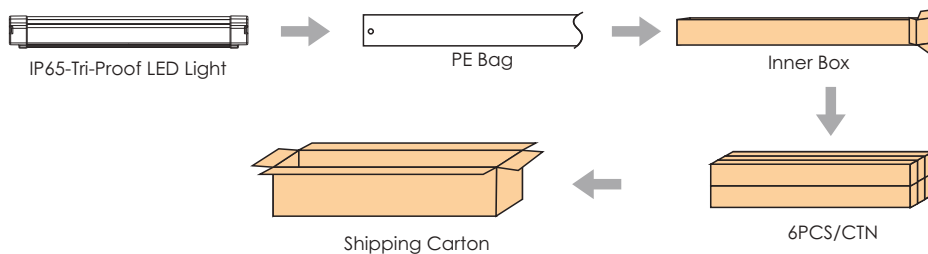


② Hanging Installation



Package

Item code	Dimension	Carton Size	N.W.(kg)/PC	G.W.(kg)/CTN	Maximum Loading of		
					20'GP	40'GP	40'HQ
PL-A65X2-20-X	600*94*69mm	695*255*270mm	1.5	11	629CTNs	1286CTNs	1513CTNs
PL-A65X2-30-X	600*94*69mm	695*255*270mm	1.5	11	629CTNs	1286CTNs	1513CTNs
PL-A65X4-40-X	1200*94*69mm	1295*255*270mm	2.5	18	304CTNs	708CTNs	792CTNs
PL-A65X4-50-X	1200*94*69mm	1295*255*270mm	2.5	18	304CTNs	708CTNs	792CTNs
PL-A65X5-50-X	1500*94*69mm	1595*255*270mm	3	22	262CTNs	550CTNs	659CTNs
PL-A65X5-60-X	1500*94*69mm	1595*255*270mm	3	22	262CTNs	550CTNs	659CTNs



All the above information is subject to the final interpretation.