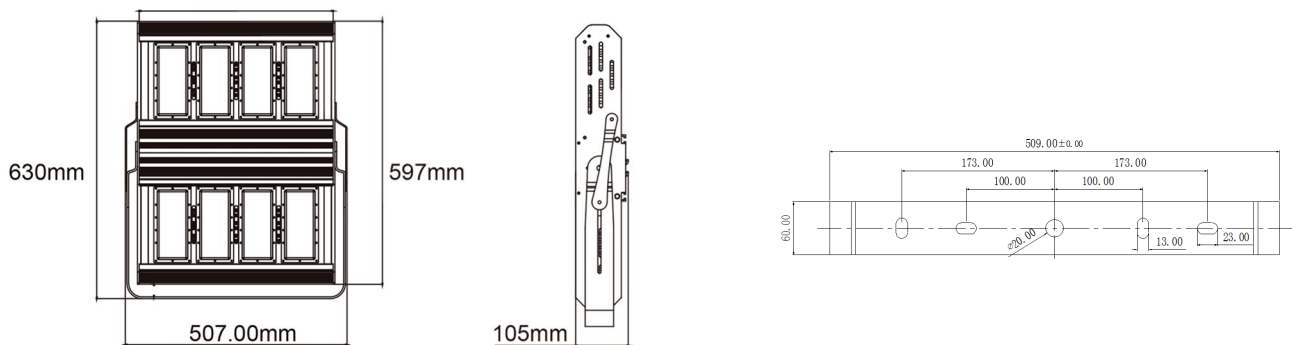




Mechanical drawing



Specification

Electrical

| | |
|---------------------|----------------------------------|
| LED Power | 576W |
| System Power | 640W |
| Input Voltage | 220-240V |
| Power supply/Driver | Philips Xitanium Inventronics |
| Power factor | ≥0.98 |
| THD | <10% |

Optical

| | |
|------------------------|----------------------------------|
| LED Source | Lumileds LUXEON M/Bridgelux 7070 |
| LED Efficiency | 140-180lm/w |
| LED QTY | 48 |
| Luminous Flux (lm) | 64036/72320 |
| Beam Angle | 15° / 30° / 60° / 60*135° |
| Color Temperature | 3000K, 4000K, 5000K, 5700K |
| CRI | Ra70, Ra80, Ra90 |
| Lumen Maintenance | L85B10/L75B10 @ 50,000 Hours |
| SDCM (MacAdam ellipse) | <3 |
| Optical Lens | Polycarbonate |

Control & Dimming

| | |
|-----------------|------------|
| Dimming | 1-10v DALI |
| Switch off | Optional |
| Wireless | Zigbee |
| Daylight sensor | Optional |
| Motion sensor | Optional |
| Wireless sensor | Optional |

General

| | |
|---------------------|--------------------------------|
| Working Temperature | -40°C ~ 55°C |
| Frame color | Aluminum |
| Frame material | Aluminum 6063 |
| Surface Treatment | Anodizing& Electrophoresis |
| Bracket | Steel/stainless steel |
| Accessories | - |
| Installation way | Wall, ceiling, surface mounted |
| Life Span | 100,000hrs |
| Warranty | 5 years |
| Net Weight (kg) | 21 |
| Gross Weight (kg) | 23 |
| Packing size (cm) | 69*56*20 |

Certificate & protection

| | |
|------------------|----------------|
| IK Class | IK10 |
| D-mark | Yes |
| IP-protection | IP65 |
| Surge Protection | 6kv/10kv |
| Certificate | CE SAA ENEC CB |