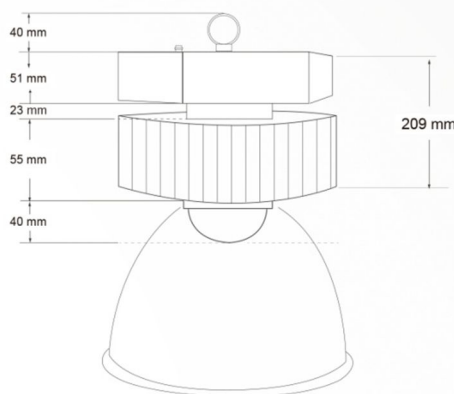




Mechanical drawing



Specification

Electrical

LED Power	48W
System Power	53W
Input Voltage	220-240V 90-305V
Power supply/Driver	Philips Xitanium Inventronics
Power factor	≥0.98
THD	<15%

Optical

LED Source	Lumileds LUXEON 3030/5050
LED Efficiency	150-180lm/w
LED QTY	66pcs 3030/12pcs 5050
Luminous Flux (lm)	7420
Beam Angle (Reflectors)	Aluminum: 45°/90°/120° PC: 45°/90°
Color Temperature	3000K, 4000K, 5000K, 5700K
CRI	Ra70, Ra80, Ra90
Lumen Maintenance	L85B10 @ 50,000 hours
SDCM (MacAdam ellipse)	<5
Optical Lens	Polycarbonate

Control & Dimming

Dimming	1-10v/DALI
Switch off	Optional
Wireless	Zigbee
Daylight sensor	Optional
Motion sensor	Optional
Wireless sensor	Optional

General

Working Temperature	-40°C ~ 55°C
Frame color	Aluminum
Frame material	Aluminum 6063
Surface Treatment	Anodizing
Accessories	Hanging ring
Installation way	ceiling
Life Span	100,000hrs
Warranty	5 years
Net Weight (kg)	2.4
Gross Weight (kg)	5.5(2pcs/ctn)
Packing size (cm)	41*25*25

Certificate & protection

IK Class	IK10
D-mark	Yes
IP-protection	IP20/IP65
Surge Protection	6kv/10kv
Certificate	CE SAA ENEC CB